

## Increasing max. output level of the PIRA32 RDS Encoder

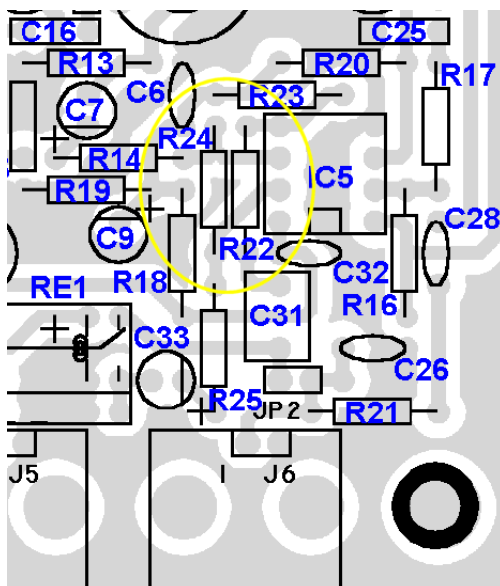
### Foreword

Some FM transmitters contain an attenuator on their RDS/SCA input without any possibility of adjusting or disabling it. As a result the FM deviation caused by RDS signal usually cannot exceed 2.0 kHz although the RDS level is set to maximum on the RDS encoder.

For the applications that require higher RDS level a simple modification can be applied to the PIRA32 that doubles the output RDS level without affecting the MPX gain equal to 1. This modification can be made either before buy (if you compare the max. level from the technical manual with the sensitivity of your transmitter) or by the user equipped with any soldering instrument.

### Procedure of the modification

1. Turn off the unit and disconnect the power supply.
2. Locate resistors R22 and R24 on the board.



3. Unsolder these resistors and place and solder new resistors with following values:

**R22: 30k**  
**R24: 68k**

### Support

mail@pira.cz    <http://pira.cz>